

# SHELTER ASSEMBLY MANUAL

Model # ( **C404015S** )

**L12x W12x H4.5m Double Truss Frame  
Strong Container Shelter**



# Part List

<b>Spare parts List for C4040S Double Trussed- 12x12x4.5 m</b>		
Part Code	Description	Qty
1	Top Bent Tube	5 Groups
2	Middle Bent Tube	10 Groups
3	Bottom Bent Tube	10 Groups
4	Purlin	28 pcs
5	Steel wire for Roof Frame	16
6	Clips	32
7A	Base Plates At left	5
7B	Base Plates At right	5
8	Rachet	10 Groups
9	Straps for Rachet	10 Groups
10	Tensioning Tube	2 Groups
11	M 8*70 Screw	80 sets
11A	M12*30 Screw	30 sets
12	M10*80 Carriage Bolts	35 sets
13	Roof Cover	1
14	Ropes	1
15	φ 32 Plastic Plug	4
16	Angle Seat With hook	4
17	Angle Seat for Base Plate	10
18	M12*30 Carriage Bolts	30 sets

## **SPECIFICATION**

Length: 12m

Width: 12m

Height: 4.5m

## **IMPORTANT-----READ MANUAL FIRST**

Improper site preparation, Assembly and Maintenance may invalidate warranty and cause unnecessary and costly mistake. If you have any questions contact your local dealer.

For User Friendly assembly we have identified each individual component with the part code as indicated in the parts list. Please refer to the part code numbers and drawing to ensure problem free assembly.

It's necessary to tighten the roof fabric enough to avoid "hammocks" on the roof and also re-tighten once or twice again after a few months of use. This is important when assembly in cold weather (autumn and winter) because the fabric is stiff then and when we got the sun and warm weather afterwards it will make the fabric "slack" again and need to be re-tighten before next winter.

It's the owners responsibility to take of snow immediately if not slide off by itself.

## **READ ALL INSTRUCTIONS BEFORE ASSEMBLY**

1. Keep work area clean. Cluttered areas invite injuries. Do not set up near snow drifts, in slippery places, in high winds, or wet location.
2. Keep children away. All children should be kept away from the work area.
3. Don't over reach. Keep proper footing and balance at all times.
4. Do not assemble in under the influence of alcohol or drugs. Read warning labels on prescriptions to determine if your judgment or reflexes are impaired while taking drugs. If there is any doubt, do not assemble.
5. Be aware of possible windy conditions; fasten the bases in concrete if these conditions are likely to occur. Remove the cover during hurricane.
6. Be careful with power and heat sources. Do not keep heat sources near the tarpaulin. Do not expose to open flame.
7. Be aware of personal safety during assembly and use. Be careful not to pinch fingers with clips and tubes when assembling: when using makes sure there is adequate ventilation for exhaust and other dangerous fumes.

## ● EQUIPEMNT AND TOOLS FOR INSTALIAATION

1. Measuring tape
2. String for alignment
3. Step ladder
4. Welder
5. Sledge hammer
6. Wrench
7. Scissors

## INSTALLATION PROCESS

### A—BASE INSTALLATION

Please refer to the diagram (Figure 1) to place the base plates. UNIT: mm

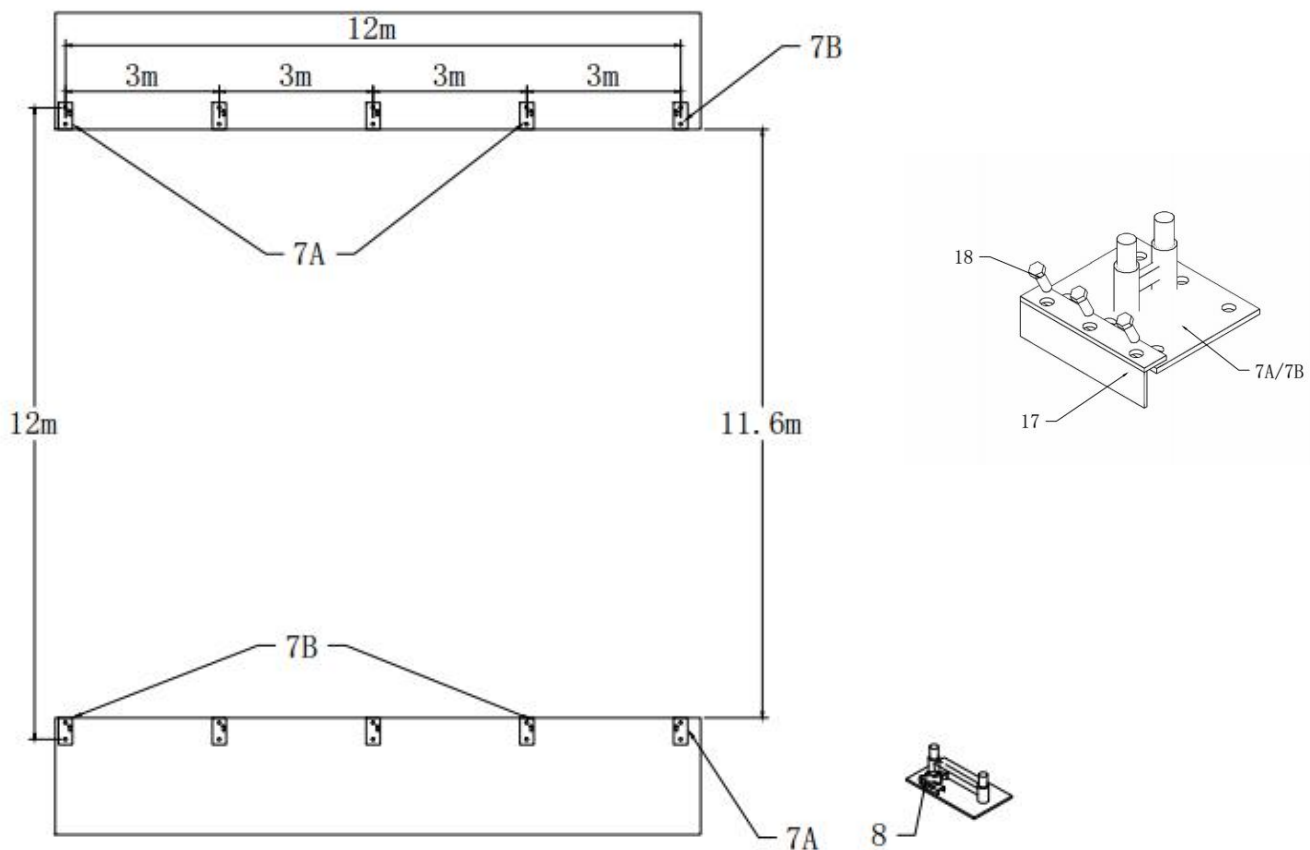


Figure 1

1. The measure is from center to center of the tubes. Referring to the above diagram and confirm the place of the base plates. ENSURE THAT THE FOUNDATIONS IS SQUARE.
2. All the base plates need to use welder to be welded on the Containers.
3. The base plates was updated, thus the shelter could be assembly both inside or outside the container.

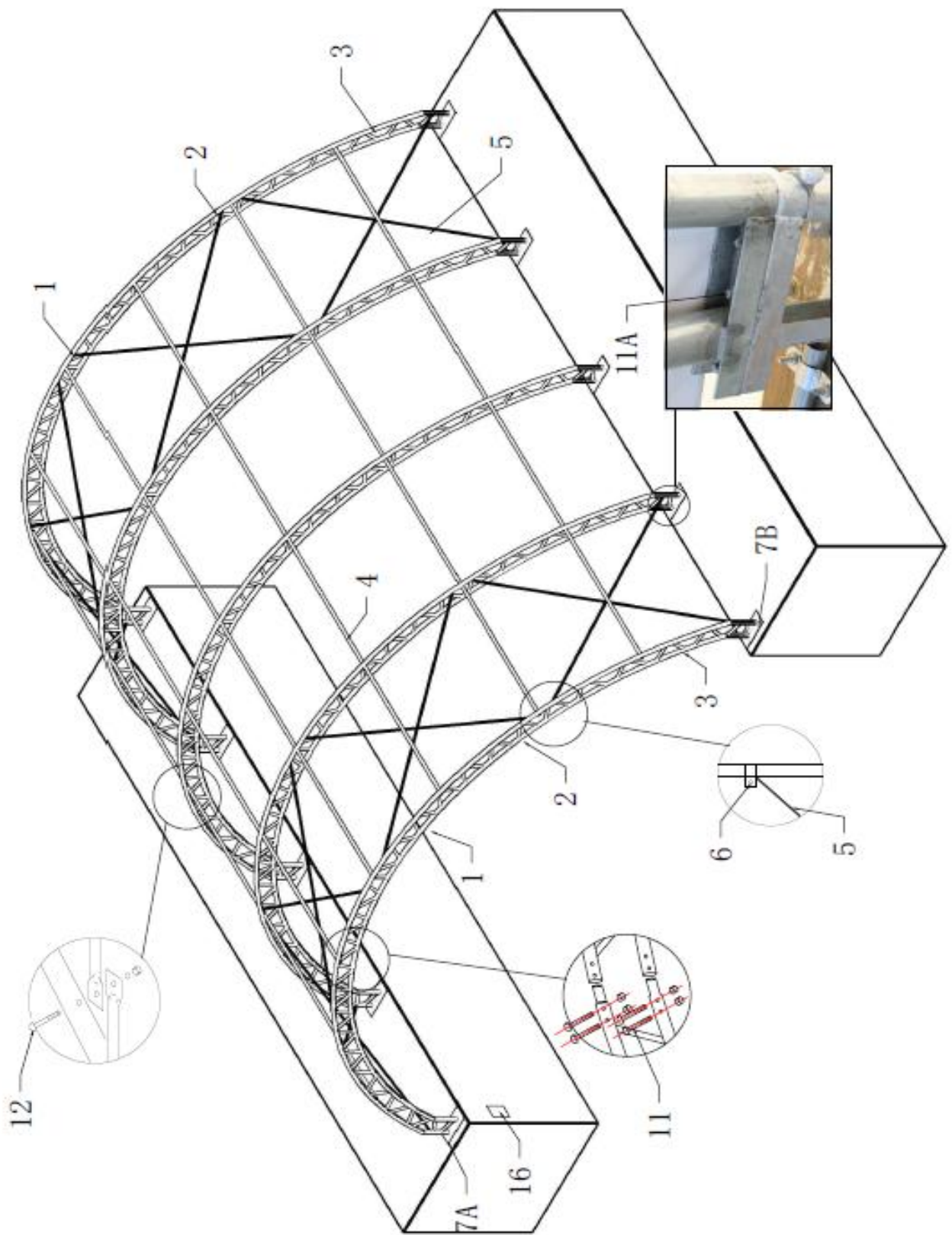


Figure 2: Size: L12 x W12 x H4.5m

## B— FRAME INSTALLATION

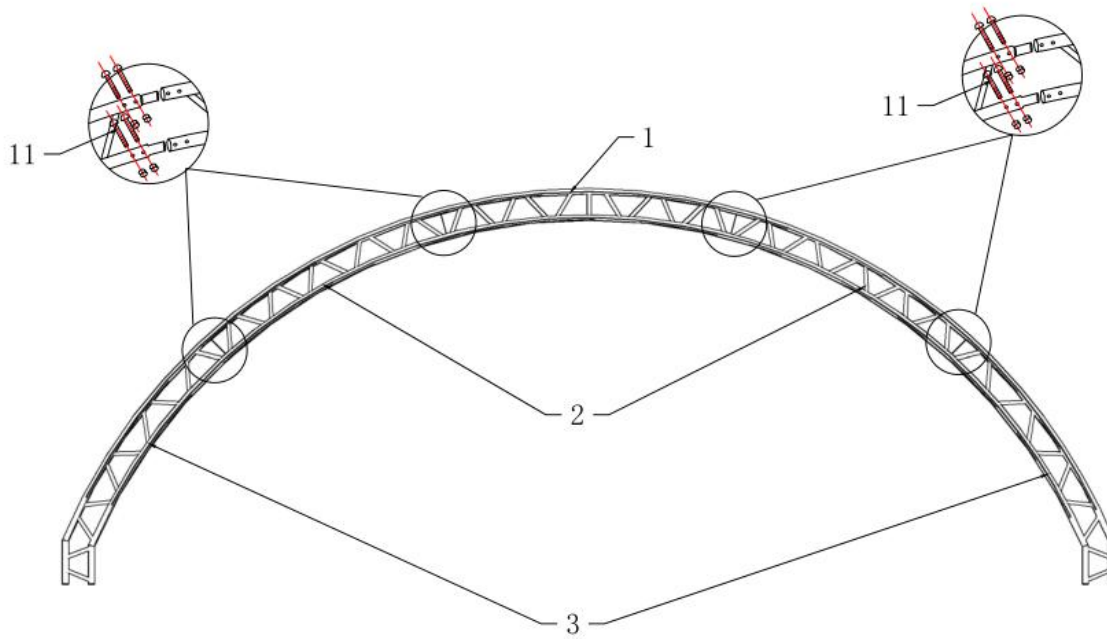


Figure 3

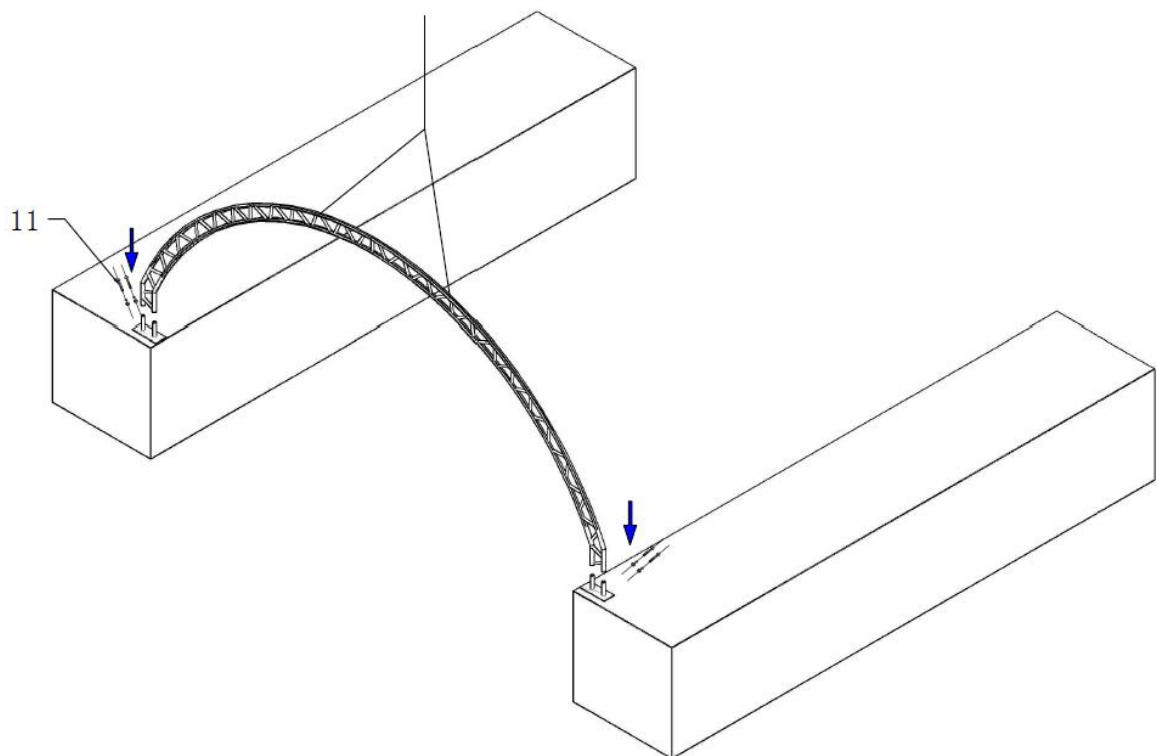


Figure 4

1 .As Figure 3 shown to connect Top bent tube ,Middle bent tube, Sidewall bent tube by using Bolt 8\*70,which makes one group of arches.

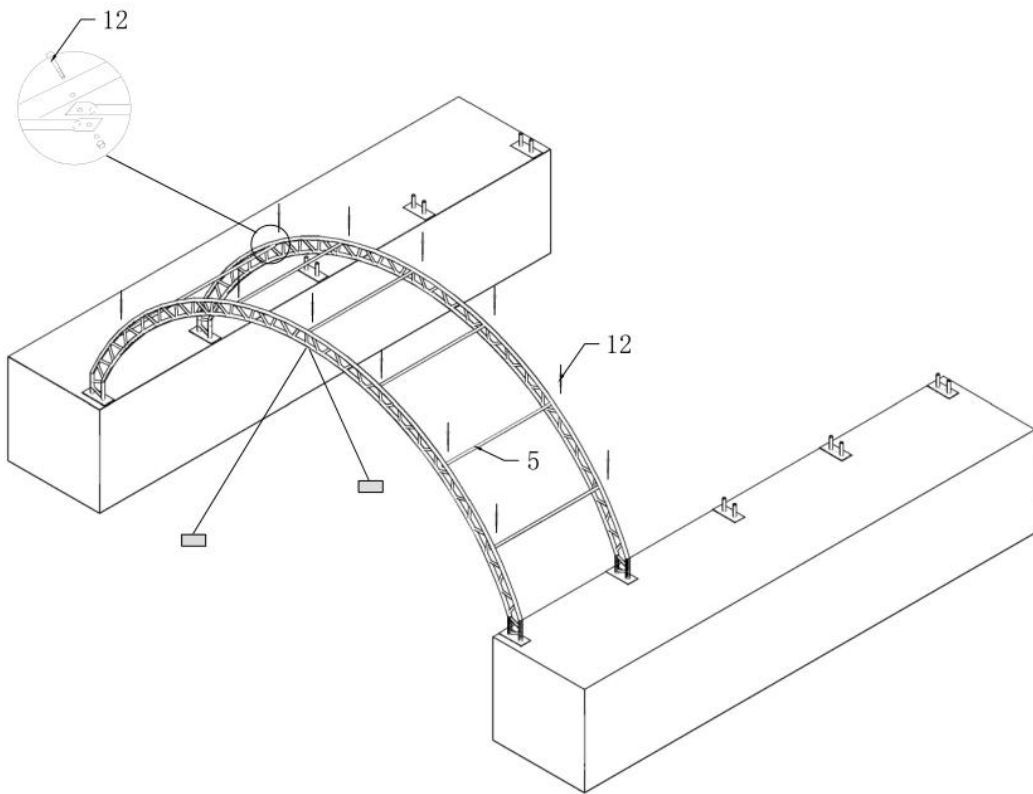


Figure 5

3. After finish installing the first two arches, connect the Connection purlin on them by using Bolt10\*80. Then install the third arch into base palate and connect other purlins.

**D—INSTRUCTION THE ROOF COVER**

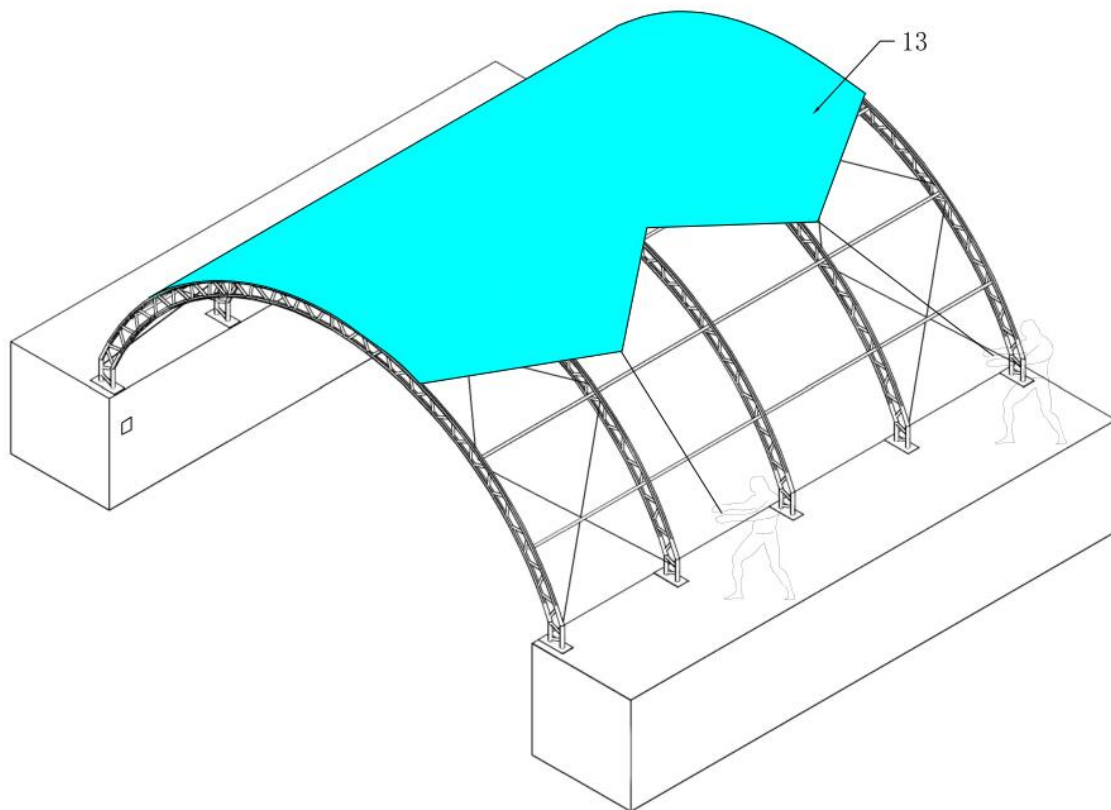


Figure 6

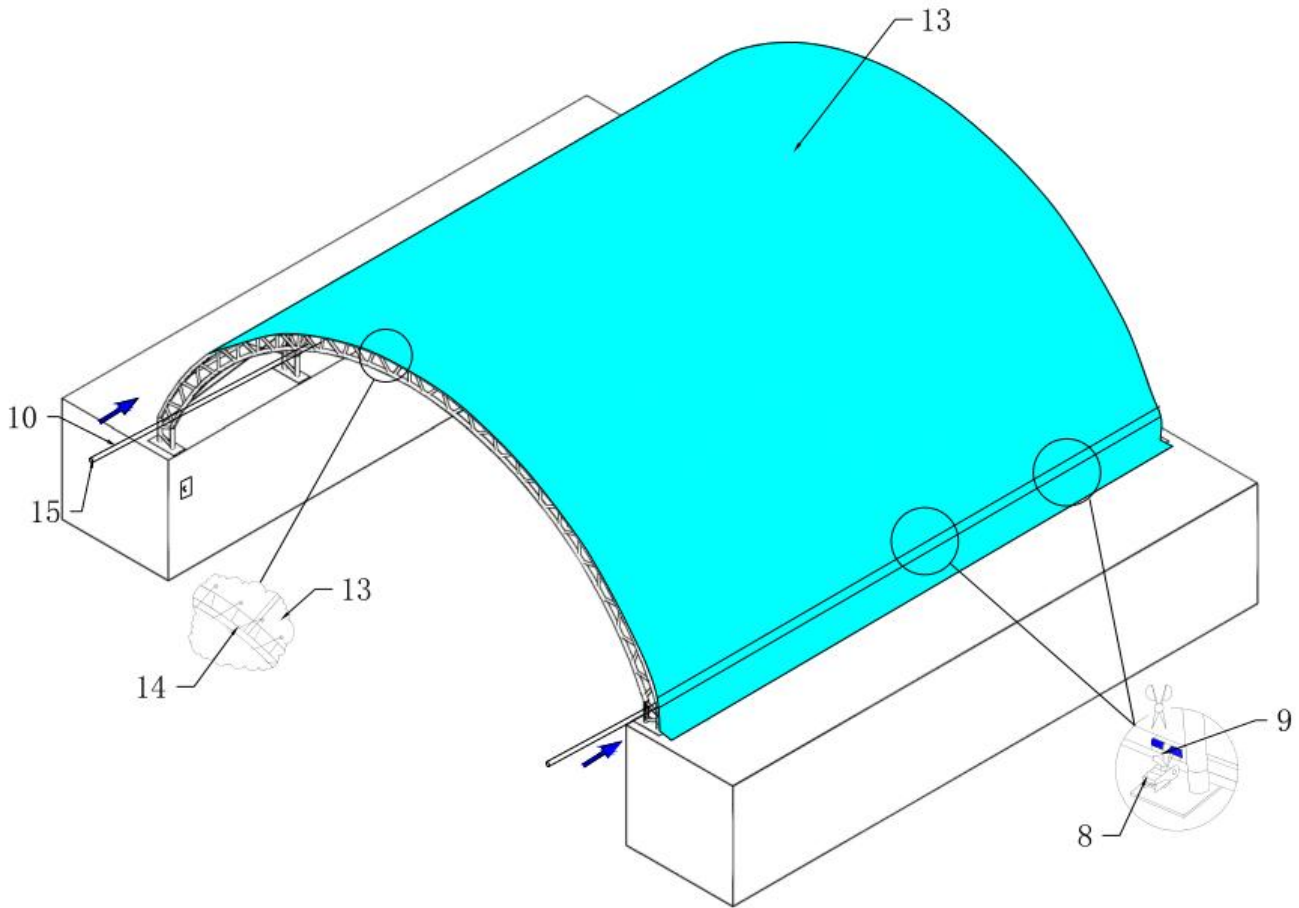


Figure 7

**NOTE: DO NOT install the cover onto the frame of your building in high wind conditions. A slight breeze is the most advantageous for cover installation. To take advantage of the breeze, pull the cover up over the arches with the breeze blowing in the cover like a sail filled with air.**

1. Put the Roof cover (Part No.13) EVENLY, CARRFULLR AND SLOWLY on the frame. Adjust the cover so that it is square and evenly centered on the frame.
2. Weld the Angle seats on each container and tie the Roof cover to the Angle seats. Finally install the  $\phi$  32 Plastic plug for base rail section into two end of the Lower Tension tubes.

**NOTE: DO NOT LEAVE THE ROOF COVER UNATTACHED UNDER ANY CIRCUMSTANCES** until the final assembly and tightening has been completed. The process is quite easy. But some tightening adjustments will be necessary to produce a flat, tensioned roof cover. Please adjust the roof cover every month.